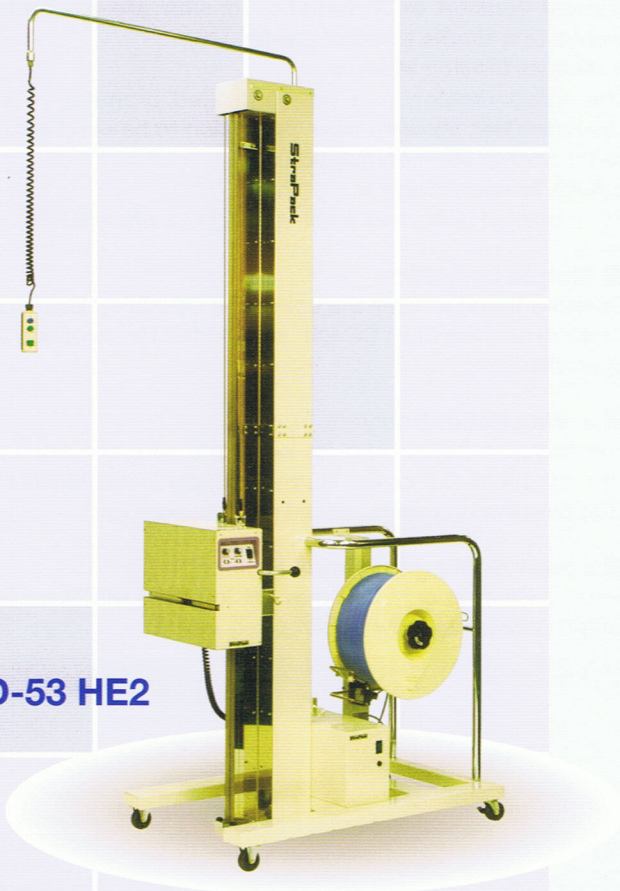


StrapPack[®]

Pallet Strapping Machine

A tall, vertical yellow metal strapping machine with a control panel and a large roll of blue and white strapping material. A long, thin metal arm extends from the top, holding a vertical spring mechanism.

D-53 HE2

A yellow metal strapping machine on a pallet, designed for use with a pallet of goods. It features a control panel and a large roll of blue and white strapping material.

D-53 PLT2

D-53PLT2, D-53HE2

D-53PLT2, D-53HE2

Pallet Strapping Machine



D-53 PLT2

■ Versatile Tension Capability

Manual Tension or Automatic Tension are available by means of a simple selector switch.

< Manual Tension Mode >

The strap tension can be controlled manually via the Operation Bar, allowing edge protection to be secured to the pallet prior to strap completion.

< Auto Tension Mode >

Strap tension is applied automatically at a preselected level.

■ Simple Operation

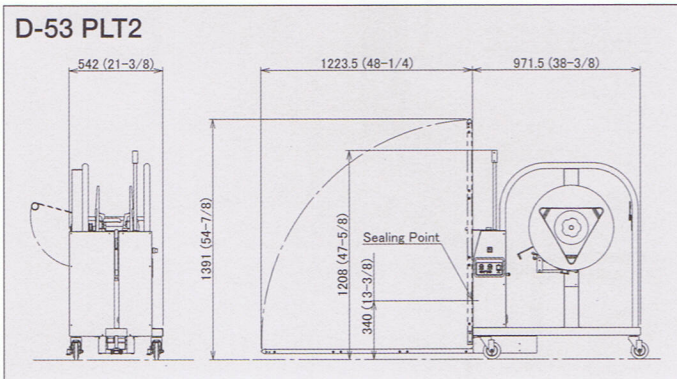
Operator friendly! Only the use of the Operation Bar (Manual Tension) and the Start Switch are needed for complete strap operation.

■ 4-Way Pallet Entry

The bayonet height can be adjusted (35 mm, 22.5 mm, 10 mm/ 1.4 in. 0.9 in. 0.4 in.) by a simple lever. Allows cross strapping through various sized pallet openings.

■ Lower Sealing for Small Pallet

Sealing Point is only 340 mm (14 in.) from the floor. Small height pallets can now be strapped easily.



D-53 HE2

■ Easy Height Adjustment

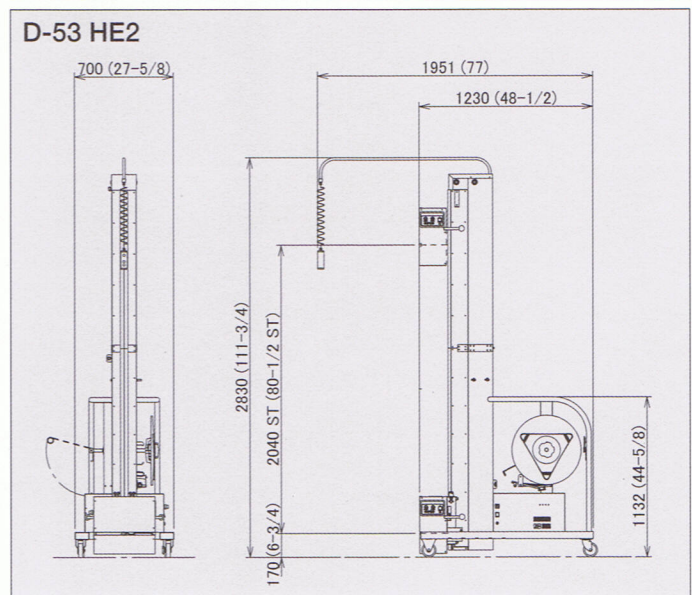
Strapping height is quickly adjusted through the easily operated counterbalance that moves smoothly and effortlessly to the desired strap location.

■ Simple Operation

The innovative pendant switch allows operation of the machine from either side of the load while enabling the operator to control the feeding, tensioning, and sealing of the strap with one hand.

Operator control makes positioning of the strap and/or the placement of corner protection an easy task.

Battery operated type is also available for both models.



■ Standard Specifications

millimeters/(inches)

	D-53 PLT2	D-53 HE2		
Dimensions	width	1000 - 2195 (39-1/2 - 86-1/2)	width	1230 (48-1/2)
	height	1208 - 1391 (47-3/8 - 54-7/8)	height	2380 (94)
	depth	542 (21-3/8)	depth	700 (27-5/8)
Machine Weight	approx 90 kg (198 lbs)		approx 170 kg (374 lbs)	
Arch Height	10, 22.5, 35 (3/8, 7/8, 13/8)		—	
Package Size (Height)	380 (15) - free		450 - 1800 (17-3/4 - 70-3/4)	
Strap Width	12 (1/2)			
Strap tension	90 - 690N (9 - 70 kgf) (20 - 156 lbs)			
Sealing Method	heat seal			
Power Supply	100, 110, 120, 200, 220, 230, 240V single phase 50 / 60Hz 0.4kw			

Modification right reserved.

Pats., U.M. & design registered and/or pending.

© 2003 Strapack Corporation

DISTRIBUTED BY:



MillerBevco
UNIQUE PACKAGING SOLUTIONS
6209 Richards Drive
Shawnee, Kansas 66216
Tel: 800-821-2177 Fax: 913-322-1729
Info@MillerBevco.com
www.MillerBevco.com

STRAPACK CORPORATION

7-16-14 Ginza, Chuo-ku Tokyo 104-0061, Japan
Phone 81-3-6278-1805 Fax 81-3-6278-1806
(URL) <http://www.strapack.com> (E-mail) info@strapack.com

STRAPACK INC.

[Head office]
30860 San Clemente St. Hayward, CA 94544 U.S.A.
Phone 1-510-475-6000 Fax 1-510-475-6090 (E-mail) hayward@strapack.com
[East coast office]
802 First State Blvd Wilmington, DE 19804 U.S.A.
Phone 1-302-998-3860 Fax 1-302-998-2616